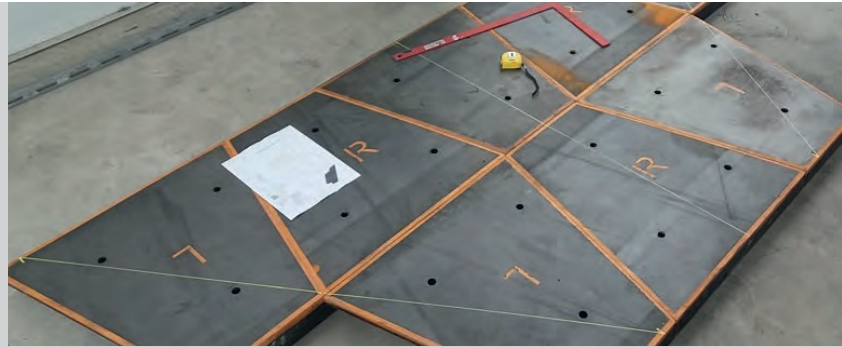




// ONE BRAND // ONE SOURCE // ONE SYSTEM



MODULAR WEAR PROTECTION SYSTEM – RMS-MP-70

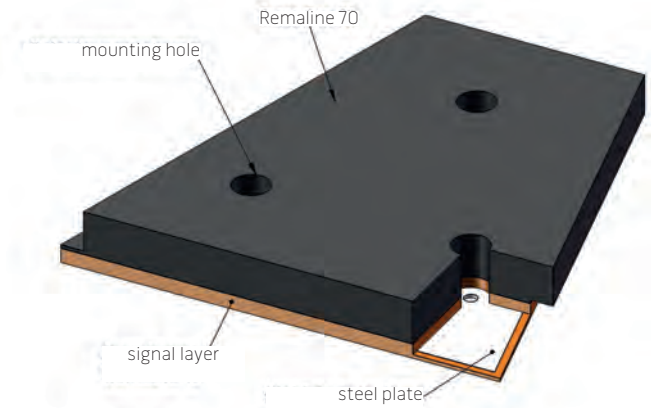
REMA TIP TOP's latest innovation is the **REMA PERFORMANCE** series. Our PERFORMANCE products **developed and „made in Germany“** have reached a new dimension of premium quality.

The exchangeable, **conically shaped module plates** of the new, highly wear-resistant **REMA modular system RMS-MP-70** enable a simple and quick assembly with minimum operating costs.

RMS-MP-70 – Modular Wear Protection System

RMS -MP-70 modules in one size of 300/600x600 mm. Interconnection with overlap system. The modules have a trapezoidal shape. Highly wear-resistant rubber grade REMA PERFORMANCE line 70 and REMALINE 40 orange as a signal layer on 5 mm metal backing S235 (St-37) hot vulcanized. Thickness of the Remaline 40 orange signal layer depends on the total thickness of the RMS-MP-70 module. Mounting holes are already inserted at the specified distance. The vulcanized metal backing plate prevents fine material from settling under the lining and allows secure fastening.

Further material qualities (RMS-REMATHAN-G90, RMS-REMALOX-HD) available.



Advantages

- Safe protection against impact wear due to dry, sharp-edged material
- The tongue and groove system improves the total armor stability and prevents fine material from intruding between the modules
- Conical shape reduces wear (wash-out at joints)
- Long service lives lead to increased plant availability
- Simple, flexible and quick installation with secure fastening
- Easy replacement
- Optimum surface protection with wear indicator (signal layer)
- Exact production planning possible (preventive maintenance)
- Reduction of storage and therefore operating costs
- Reduction of noise pollution
- Reduction of vibration
- Weather-resistant
- Further material qualities available

Typical applications

- Highest wear resistance against impact and abrasion
- Very heavy to medium-duty applications in mining, quarries, sand and gravel works and in industry, e.g. SKW troughs, primary bunkers, bunkers, chutes, loading points, feeders, gutters, funnels, silos, etc., which are exposed to wear and noise pollution

Technical Characteristics

Product designation	REMA PERFORMANCEline 70 is a compound made of natural rubber and butadiene rubber with excellent wear resistance to dry condition and impact.	
Color		black
Polymere	DIN ISO 1629	NR/BR
Specific weight	DIN EN ISO 1183-1	1,12 g/cm ³
Hardness	DIN ISO 7619-1	65 ± 5 Shore (A)
Available delivery sizes	standard thickness in mm	40, 60, 80, 100, 120, 150
	standard width x length in mm	300/600 x 600

RMS-MP-70 – Modular Wear Protection System

Ref. No.	Designation	Thickness [mm] (A)	REMA PERFORMANCE line 70 [mm] (B)	Remaline 40 orange [mm] (C)	Weight [kg/piece]
5394512	RMS-MP-70-40 R	40	30	10	21
5394513	RMS-MP-70-40 L	40	30	10	21
5394516	RMS-MP-70-60 R	60	50	10	26
5394517	RMS-MP-70-60 L	60	50	10	26
5394510	RMS-MP-70-80 R	80	60	20	32
5394511	RMS-MP-70-80 L	80	60	20	32
5394518	RMS-MP-70-100 R	100	70	30	38
5394519	RMS-MP-70-100 L	100	70	30	38
5394520	RMS-MP-70-120 R	120	80	40	43
5394521	RMS-MP-70-120 L	120	80	40	43
5394522	RMS-MP-70-150 R	150	100	50	51
5394523	RMS-MP-70-150 L	150	100	50	51

RMS-REMATHAN-G90 – Modular Wear Protection System

Ref. No.	Designation	Thickness [mm] (A)	Weight [kg/piece]
5394514	RMS-REMATHAN-G90-40 R	40	23
5394515	RMS-REMATHAN-G90-40 L	40	23

RMS-REMALOX-HD – Modular Wear Protection System

Ref. No.	Designation	Thickness [mm] (A)	Ceramics cylinder in mm	Weight [kg/piece]
5393390	RMS-REMALOX-HD-40	40	Ø20x20	31
5393380	RMS-REMALOX-HD-80	80	Ø30x50	60



Your local contact



// ONE BRAND // ONE SOURCE // ONE SYSTEM

REMA TIP TOP AG
Gruber Straße 65 · 85586 Poing / Germany
Phone: +49 8121 707-100
Fax: +49 8121 707-10 222
info@tiptop.de
www.rema-tiptop.com

